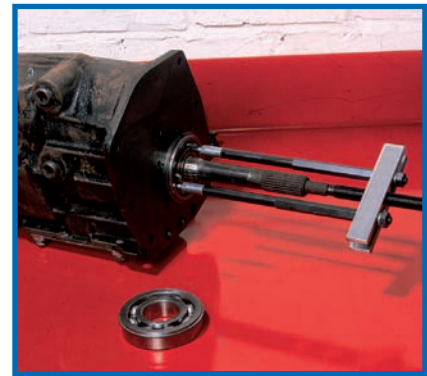


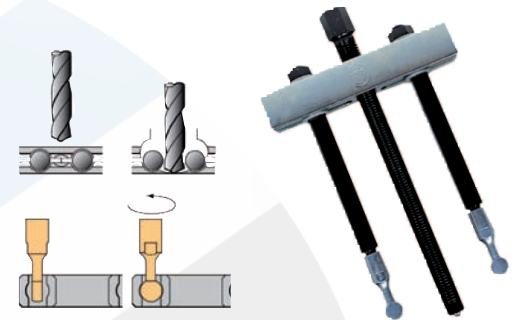
## Multipull® Blind Housing Bearing Removers

Specialist pullers designed to remove 'blind housing' bearings, without the need to dismantle machinery or to remove the running shaft.

- Positive seating allows even tension on both the inner and outer bearing rings, which reduces resistance
- Stabilising beam and rods reduce sideways movement and self-centre the puller
- 3 separate kits cover a wide range of ISO bearing designations – or use bearing dimensions to determine appropriate puller



| REFERENCE               | BALL END DIAM<br>mm | MIN SPREAD<br>mm | MAX SPREAD<br>mm | REACH<br>mm |
|-------------------------|---------------------|------------------|------------------|-------------|
| 09800000                | 5.5 - 8.0           | 20               | 95               |             |
| 09810000                | 5.5 - 12.5          | 20               | 117              |             |
| 09820000                | 16.0 - 31.75        | 56               | 210              |             |
| ISO BEARING DESIGNATION |                     |                  |                  |             |
| 09800000                | 6004 - 6010         | 6200 - 6205      | 6300 - 6302      |             |
| 09810000                | 6004 - 6015         | 6200 - 6211      | 6300 - 6307      | 6403 - 6404 |
| 09820000                |                     | 6212 - 6222      | 6308 - 6319      | 6405 - 6414 |



## Multipull® Blind Housing Bearing Remover Kit

09800000

- For small bearings up to 8mm ball diameter
- Includes 3 x pairs of adaptors – 5.5 / 6.0 / 8.0mm diameter
- Twin beam, force screw and extension rods



## Multipull® Blind Housing Bearing Remover Kit

09810000

- For small / medium bearings up to 12.5mm ball diameter
- Includes 6 x pairs of adaptors – 5.5 / 6.0 / 8.0 / 9.0 / 11.0 / 12.5mm diameter
- Large and small twin beams, force screws and extension rods



## Multipull® Blind Housing Bearing Remover Kit

09820000

- For large bearings up to 31.75mm ball diameter
- Includes 6 x pairs of adaptors – 16 / 19 / 22 / 25 / 28 / 31.75mm ball diameter
- Large twin beam, force screw and extension rods

